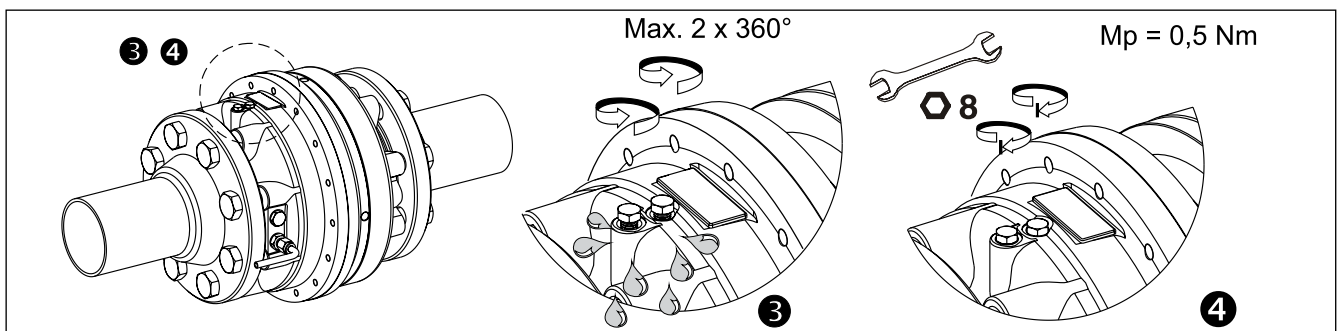
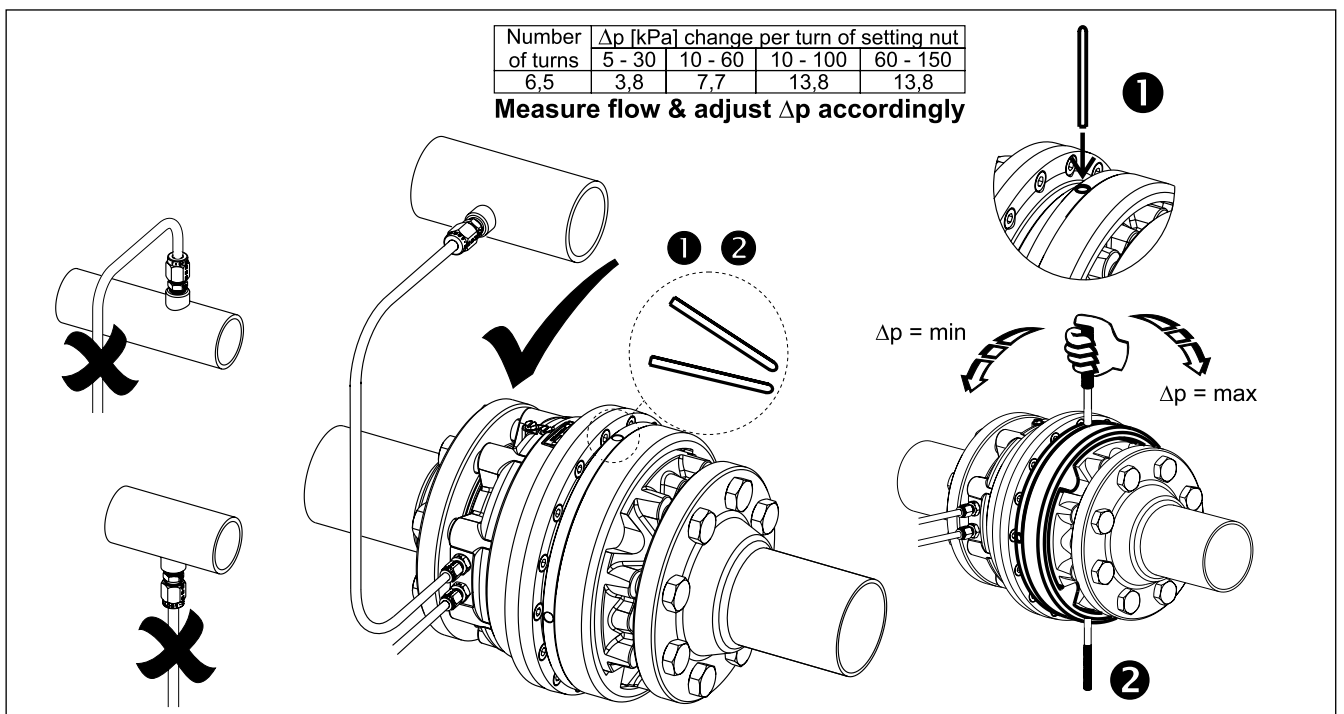
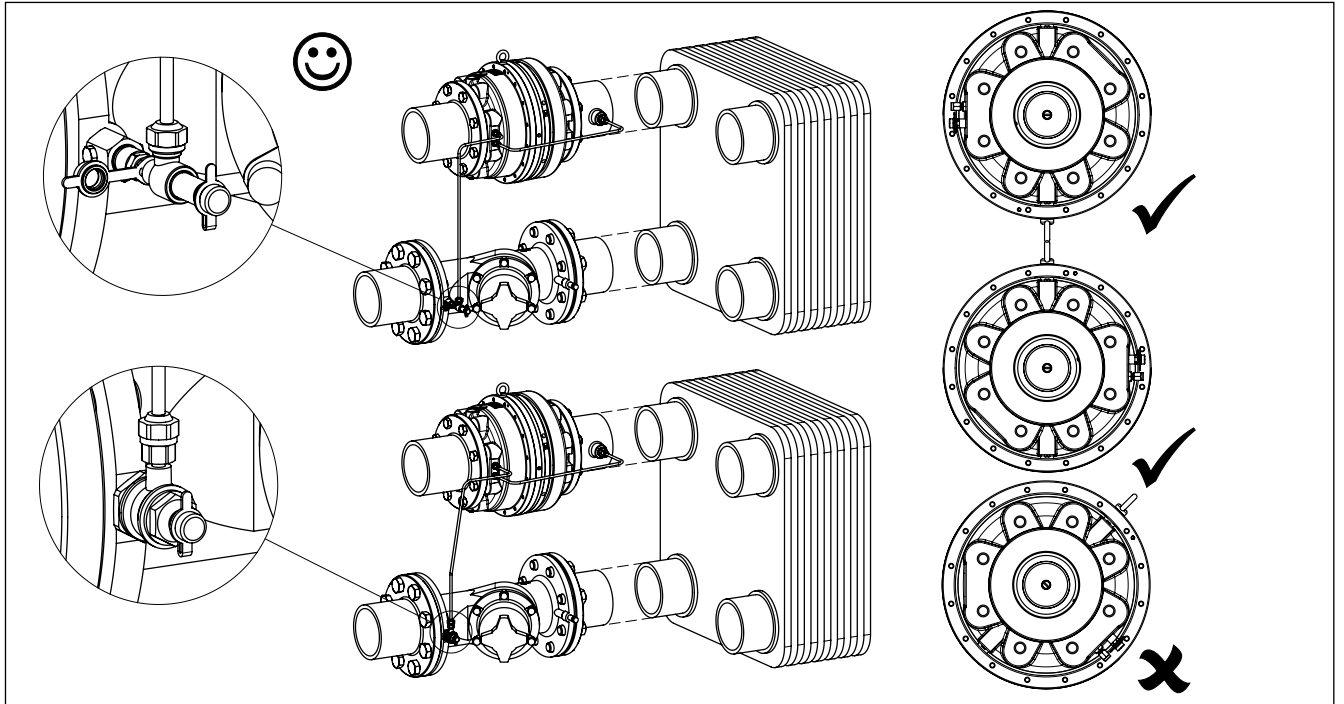
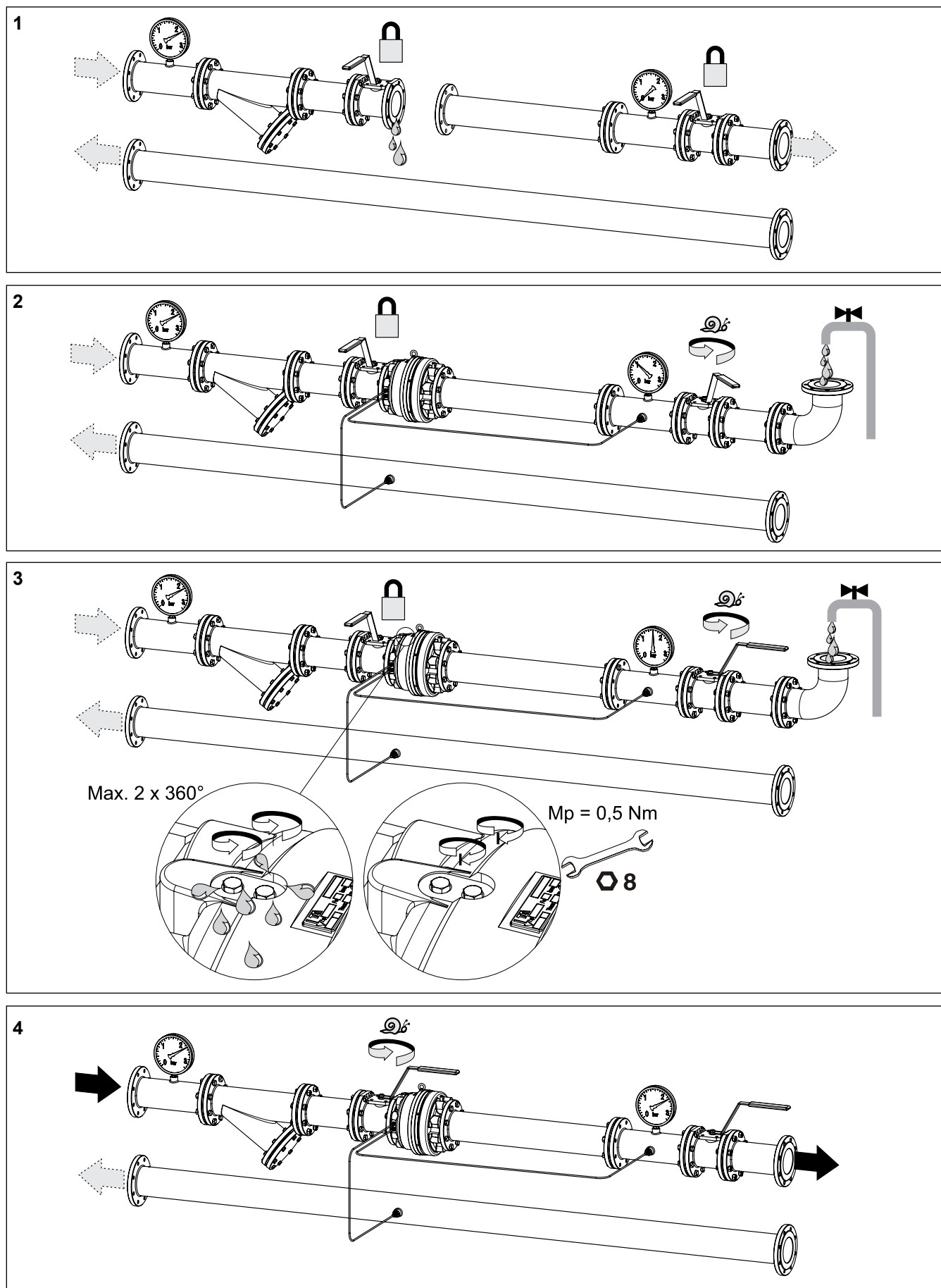


IMI TA

DAF 516 – DN 65-125



Start-up



We reserve the right to introduce technical alterations without previous notice.